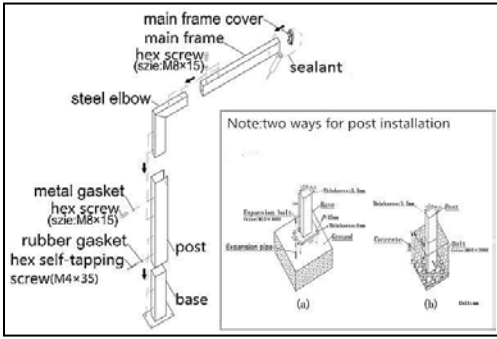
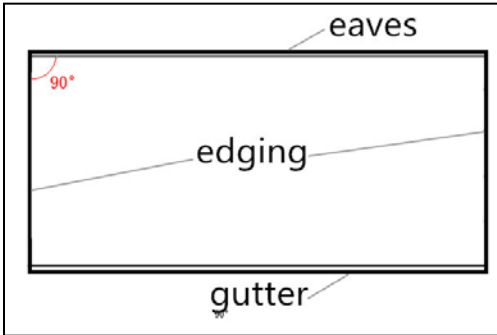


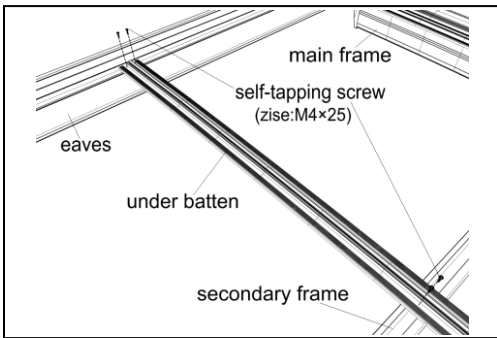
Step 1: Fix the base, and install the post and frame as shown below



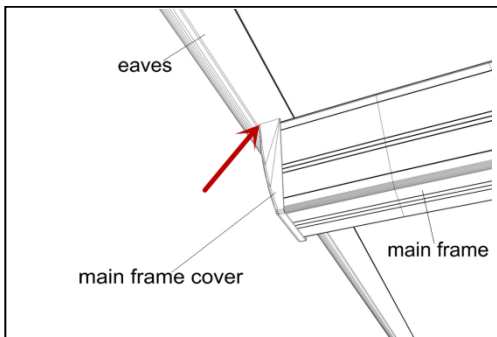
Step 4: Make sure all frames are set perpendicular to each other



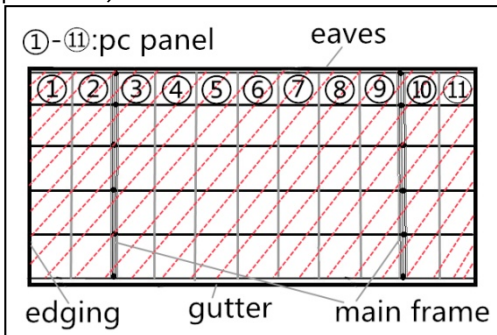
Step 7: Lay out the under batten and fix to the eaves and secondary frame by screws



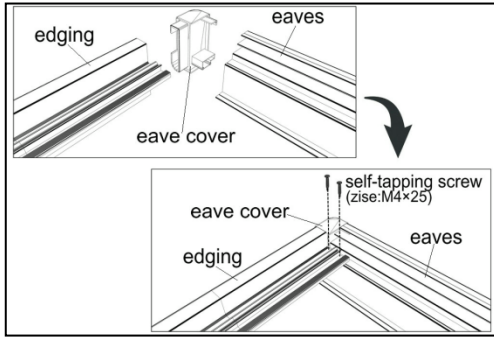
Step 10: Fix the main frame to the eave, attach the cover against the groove of eaves



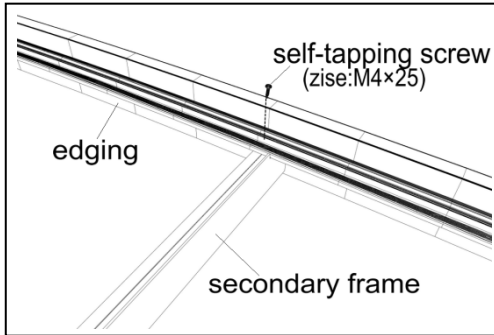
Step 13: Insert the panel 1 to 11 in order (Please remove the protection film from the panel first)



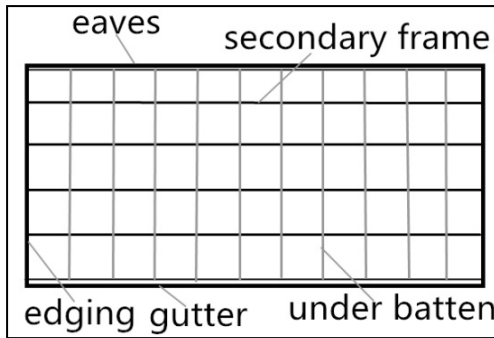
Step 2: Connect the eaves and edging with self-tapping screws



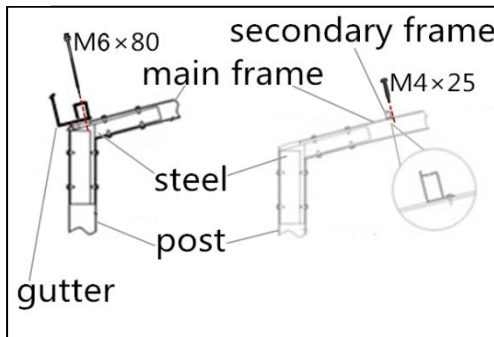
Step 5: Lay out the secondary frame and fix both ends with self-tapping screws



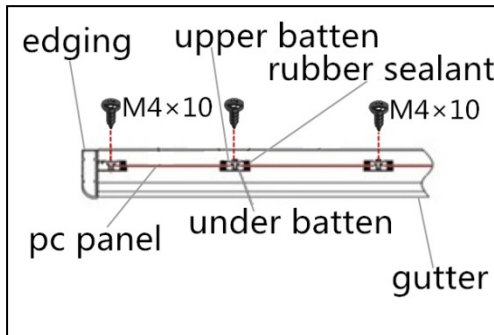
Step 8: Fix all the under battens with secondary frame as shown at step 7



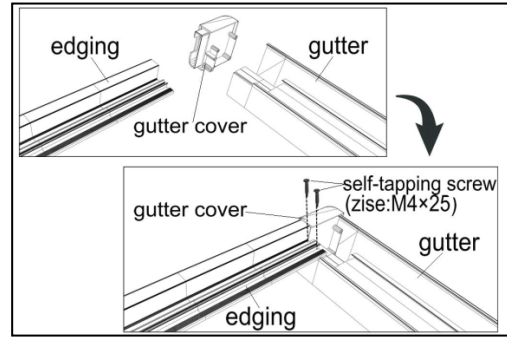
Step 11: Fix the gutter and secondary frames to the main frame with screws



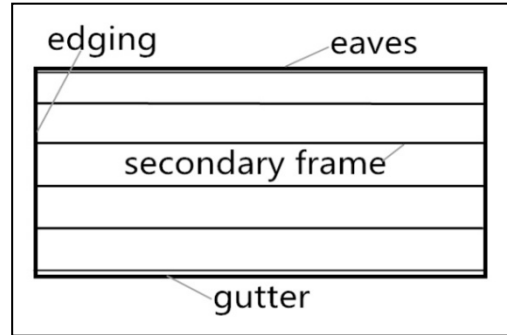
Step 14: Lay out the upper batten on the panel, and fix them by screws



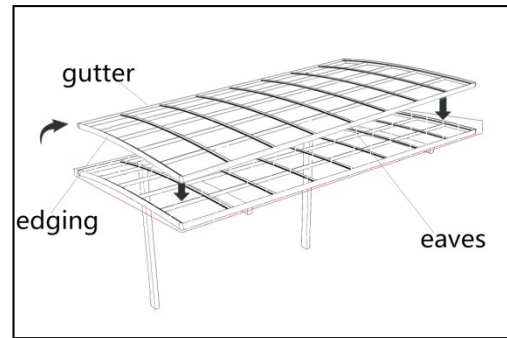
Step 3: Connect the edging and gutter with self-tapping screws



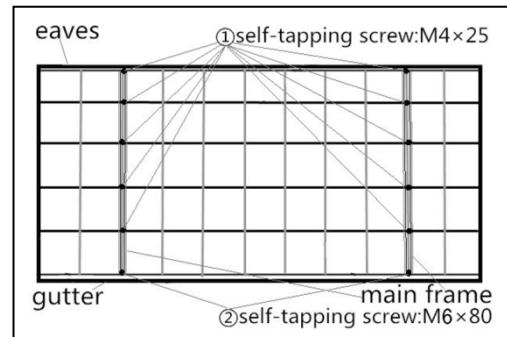
Step 6: Fix all the secondary frames as shown at step 5



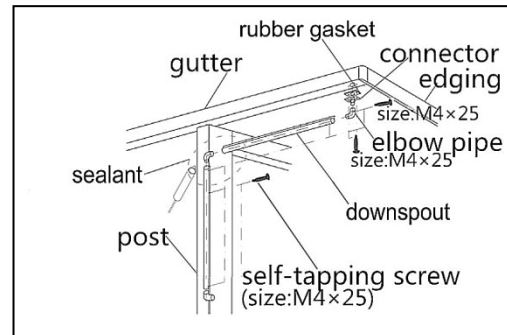
Step 9: Raise the roof frame assembly and put it on top of the main frame (the total weight of the roof frame is about 95 lb, it may need two to three people to do that).



Step 12: Fix all connecting points as shown at step 11



Step 15: Install the drain pipe and downspout



Hex self-tapping screw M4X35
Round head screw M4X10

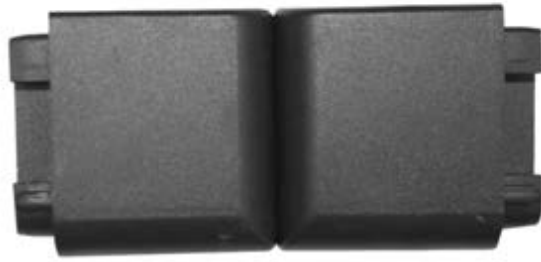
Self-tapping screw M4X25

Hex screw M8X15

Expansion bolt M10X100



Eave cover



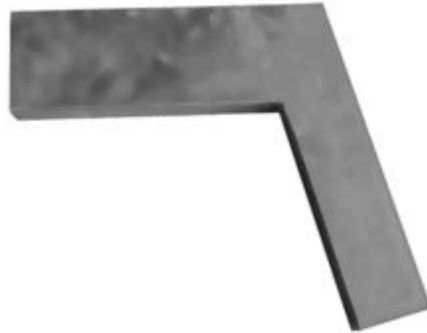
Gutter cover



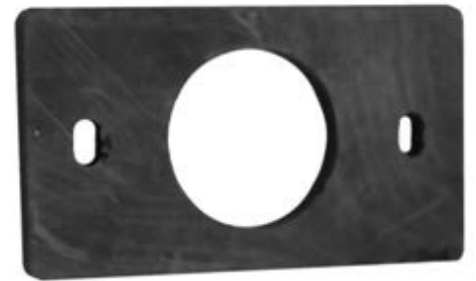
Hex Self-tapping screw M6X80



Steel Base



Steel elbow structure



Rubber gasket



Elbow Pipe



downspout connector



Main frame cover

TOOLS:



Electric Drill



Hammer



Wrench



Rubber Hammer



Tape Measure



Sealant



Screw Driver



levelling instrument